



PROFLEX+

SMOKE MONSTER

Automotive Leak Locator

PRO S-1000HD

User Manual



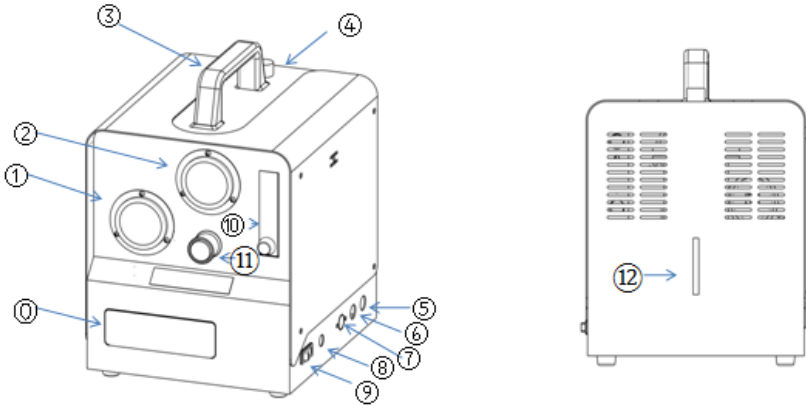
CeramiHeat™
"The Only Smoke Machines
using Ceramic Heating
Technology"

www.proflex-plus.com

Packing List

- Main Unit x 1
- Detachable Cables x 1
- Detachable Air/Smoke Hose x 1
- HD Bladder Blocker x 2
- Smoke wand x 1
- Stainless ring x 1
- Safety chain and Halo x 1
- Cooling system adaptors x 1 set
- Bottle Oiler x 3
- Flashlight x 1
- Manual x 1
- Quick Start Guide x 1

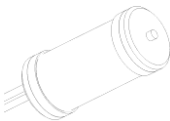
Main Unit Structure



- ① - Mode Selection and Start/Stop Button; ② - Test pressure gauge; ③ - System pressure gauge; ④ - Handle; ⑤ - Fuel refill port; ⑥ - Power supply cable; ⑦ - Smoke outlet; ⑧ - Shop air inlet; ⑨ - Fuse; ⑩ - Power Switch; ⑪ - Flow meter; ⑫ - Test pressure adjustor; ⑬ - Oil level indicates.

Operation Guide

● Block the pipe system of the vehicle



Put the HD Bladder Blocker into the intake or exhaust, twist off the blocker screw from the top of the bladder, inflate the bladder to seal the opening with shop air, the pressure shall not exceed 1.5 bar.



In some case, need to use the bladder as a blocker instead of using it as smoke import port. The smoke port shall be sealed on the top. .

For some up-right exhaust or tilted intake, there's possibility that the HD Bladder Blocker will fall into the pipeline and difficult to take out, in this case use the safety chain to hook the bladder to somewhere near the system, or hook to the stainless ring if there's no reasonable hook place.



● Fuel level check



To keep the equipment in best condition, fuel level shall be checked at a regular basis. Refill fuel when fuel level is **lower** than minimal level and make sure every refill shall not exceed the maximum level.

● Connect power supply



The equipment is automotive 12V/24V battery powered, equipped 5 meters (15.5 feet) battery Jump Cable, connect to the automotive battery with crocodile clip.

Note: Red clip to Positive and Black clip to Negative.

● Power on the equipment



Power on the equipment by push the power switch below the Cable/hose rack.

The power indicator light shows the power status.

- **Mode Selection**

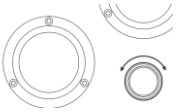


Smoke Mode will generate smoke; this mode is for find the leak position.



Air Mode is to confirm if there's a leak. By check the readings on the flow meter and pressure gauge.

- **Pressure Adjustment**



Adjust the flow meter to zero position, the test pressure gauge will indicate the maximum input pressure; use the controller to adjust the pressure to desired level.

This step is VERY IMPORTANT for Heavy Duty leak test. Normally a Heavy Duty leak test will need 0.5 to 1 bar pressure, over pressure will easily break the worn sealing of the system. Have to determine the pressure level that the system could take.

- **Flow adjustment**



After pressure adjustment, turn the flow adjustment knob.

Smoke Mode: Excessive smoke exiting a leak may make it difficult to determine the exact location of the leak. The purpose of the Flow Control Valve is to decrease the amount of smoke exiting a leak so that its position may be pinpointed without the masking effect of excessive smoke. *Note: Turn clockwise to decrease flow, counterclockwise to increase flow. Turn to Max at startup.*

Air Mode: When the reading on the pressure gauge become stable, if the flow meter reading not drop to 0, means there's a leak. And the flow rate indicates the leak size.

- **Lead smoke/Air into the pipe system**

Connect the Smoke Supply Nozzle to the pipe system (to the HD Bladder Blocker port in most cases).

- **Leak observation**



Pressure Reading

When performing the “Air Leak Decay” test, and the needle on the gauge falls to 0, means there is still a leak. You must re-smoke the vehicle again to find the leak.



Flow Rate Reading

When the air pressure is turned off and the ball inside the flow meter rises, this indicates there is a leak and depending on how far up the ball is will visually indicate the potential size of the leak.



Observe leak position, sometimes you might need to use the flashlight provided.

Fuel

- **Fuel Specification**

SMOKE MONSTER Jr. use medicinal grade mineral oil or plain baby oil which can be purchased from a drug store or supermarket. Or you can purchase more mineral oil from your dealer/distributor (Proflex+ product # 501134) or our **NEW SCENTED OIL** (Proflex+ product # 501143) for an even more pleasant experience. For more information you can contact Proflex+ by calling 1-800-401-3830 ext 201 or go to www.proflex-plus.com or inquire with your dealer/distributor.

- **Fuel Refill (see next page)**



Check the fuel level regularly approximately every 50 tests or so.

Always be sure the gasket is in place and tighten the cap firmly. The fuel level should be maintained between the minimum and maximum lines. To avoid pouring the fuel on the surface of the equipment, it's recommended to use the fuel refill bottle. **DO NOT OVERFILL.**

Customer Service

If you have any questions on the operation of the unit, please contact **PROFLEX+** by refer to its website <http://www.proflex-plus.com>

If your unit requires repair service, return it to the manufacturer with a copy of the sales receipt and a note describing the problem. Or describe the problem by calling (888) 401-3830, if the unit is determined to be in warranty, it will be repaired or replaced at no charge. If the unit is determined to be out of warranty, it will be repaired for a nominal service charge plus return freight.

Trademark Information

PROFLEX+ / Smoke Monster is a registered trademark of **PROFLEX+ Distribution Inc.** (referred as **PROFLEX+**) in Canada and other countries. All other **PROFLEX+** trademarks, service marks, domain names, logos, and company names referred to in this manual are either trademarks, registered trademarks, service marks, domain names, logos, company names of or are otherwise the property of **PROFLEX+** or its affiliates. In countries where any of the **PROFLEX+** trademarks, service marks, domain names, logos and company names are not registered, **PROFLEX+** claims other rights associated with unregistered trademarks, service marks, domain names, logos, and company names. Other products or company names referred to in this manual may be trademarks of their respective owners. You may not use any trademark, service mark, domain name, logo, or company name of **PROFLEX+** or any third party without permission from the owner of the applicable trademark, service mark, domain name, logo, or company name. You may contact **PROFLEX+** by visiting <http://www.proflex-plus.com> to request written permission to use Materials on this manual for purposes or for all other questions relating to this manual.

Copyright Information

Copyright © 2012-2014 by **PROFLEX+ Distribution Inc.** (referred as **PROFLEX+**) All rights reserved. No part of this publication may be reproduced, stored in a retrieval system, or transmitted in any form or by any means, electronic, mechanical, photocopying, recording or otherwise, without the prior written permission of **PROFLEX+**. The information contained herein is designed only for the use of this unit. **PROFLEX+** is not responsible for any use of this information as applied to other units.

General Notice

Other product names used herein are for identification purposes only and may be trademarks of their respective owners. **PROFLEX+** disclaims any and all rights in those marks.

There is a possibility that this unit is inapplicable to some of the vehicle models or systems listed in the diagnosis section due to different countries, areas, and/or years. Do not hesitate to contact **PROFLEX+** if you come across such questions. We are to help you solve the problem as soon as possible.

Disclaimer

To take full advantage of the unit, you should be familiar with the engine of the vehicle you intend to test.

All information, illustrations, and specifications contained in this manual are based on the latest information available at the time of publication. The right is reserved to make change at any time without notice.

PROFLEX+ shall not be liable for any damages or problems arising from the use of any options or any consumable products other than those designated as Original

PROFLEX+ Products or **PROFLEX+** Approved Products

Neither PROFLEX+ nor its affiliates shall be liable to the purchaser of this unit or third parties for damages, losses, costs, or expenses incurred by purchaser or third parties as a result of: accident, misuse, or abuse of this unit, or unauthorized modifications, repairs, or alterations to this unit, or failure to strictly comply with **PROFLEX+** operating and maintenance instructions.

Warranty

General Warranty for PROFLEX+ Products: THIS WARRANTY IS EXPRESSLY LIMITED TO PERSONS WHO PURCHASE NEW **PROFLEX+** PRODUCTS FOR PURPOSES OF RESALE OR USE AS PER ABOVE INSTRUCTIONS AND IN THE ORDINARY COURSE OF THE BUYER'S BUSINESS. ONLY GENUINE PRODUCTS ARE COVERED.

PROFLEX+ electronic products are warranted against defects in materials and workmanship for 1 year from date of delivery to the user. This limited warranty is based on normal and reasonable use of the product and does not cover any part that has been abused, altered, used for a purpose other than for which it was intended, or used in a manner inconsistent with instructions regarding use. It also does not cover damage caused by transporting, dropping, negligence or improper care. The exclusive remedy for any product found to be defective is repair or replacement, at **PROFLEX+** option, and **PROFLEX+** shall not be liable for any consequential or incidental damages. Final determination of defects shall be made by **PROFLEX+** in accordance with procedures established by **PROFLEX+**. If the product is no longer available, **PROFLEX+** may substitute a comparable PROFLEX+ product. No agent, employee, or representative of **PROFLEX+** has any authority to bind **PROFLEX+** to any affirmation, representation, or warranty concerning **PROFLEX+** products, except as stated herein.

Lifetime Warranty for CERAMIHEAT™ heater: In addition to above, **PROFLEX+** offers a Limited Lifetime Warranty for material and workmanship of the CERAMIHEAT heater to the original purchaser of any **PROFLEX+** product that is built with the CERAMIHEAT technology. This warranty is valid to the original purchaser who has purchased the product from an authorized dealer and for as long as the original purchaser owns the product, but does not cover any part that has been abused or altered by the purchaser. The exclusive remedy for a defective CERAMIHEAT heater is repair or replacement, at PROFLEX+ option, and **PROFLEX+** shall not be liable for any consequential or incidental damages. Final determination of defects shall be made by **PROFLEX+** in accordance with procedures established by **PROFLEX+**.

To the extent permitted by applicable law, any implied warranties are hereby excluded. The warranties provided above are limited to the value of the product. If the product is no longer available, **PROFLEX+** may substitute a comparable **PROFLEX+** product.

The above warranties are intended to give you specific legal rights. In addition to the rights described herein, you may also have other rights that vary from province/state to province/state or country to country with respect to the exclusion or application of implied warranties, incidental and consequential damages and repair and replacement. Consequently, the limitations or

~~exclusions specifically contained in this warranty are not applicable to you.~~

CeramiHeat™
 "The Only Smoke Machines
 using Ceramic Heating
 Technology"



PROFLEX+

WARRANTY CARD

PRODUCT NAME	SMOKE MONSTER HD
MODEL #	PRO S 1000HD
SERIAL NUMBER	
DATE OF PURCHASE	
DEALER OF PURCHASE	
RMA number	

CUSTOMER INFORMATION

NAME	
ADDRESS	
PHONE	

SERVICE RECORDS

DATE	FAULT	SERVICE RESULT

For warranty repair or return in CANADA

**Proflex+ Distribution Inc
65 Brunswick
Montreal, Quebec, Canada
H9B 2N4**

For warranty repair or return in U.S.A

**Ballin International
c/o Proflex+ Distribution Inc.
63 Lawrence Paquette Drive
Champlain, New York
12919**

**A return authorization number (RMA) must be obtained before returning
any merchandise under warranty**